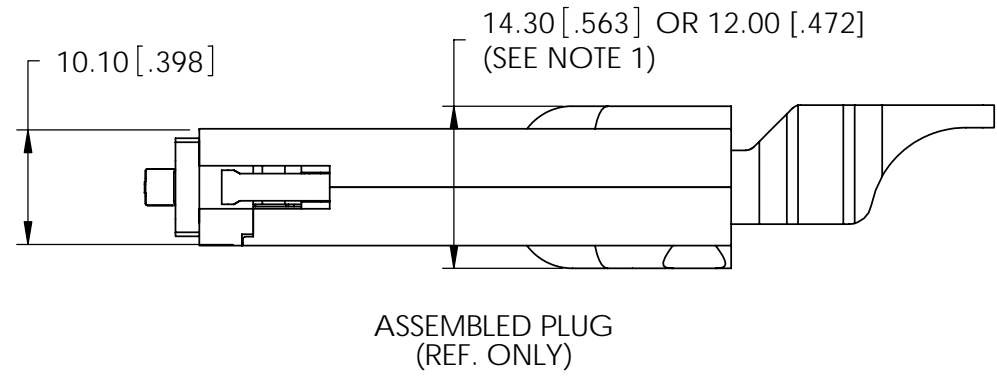
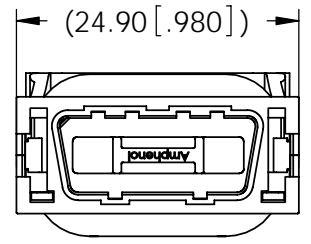
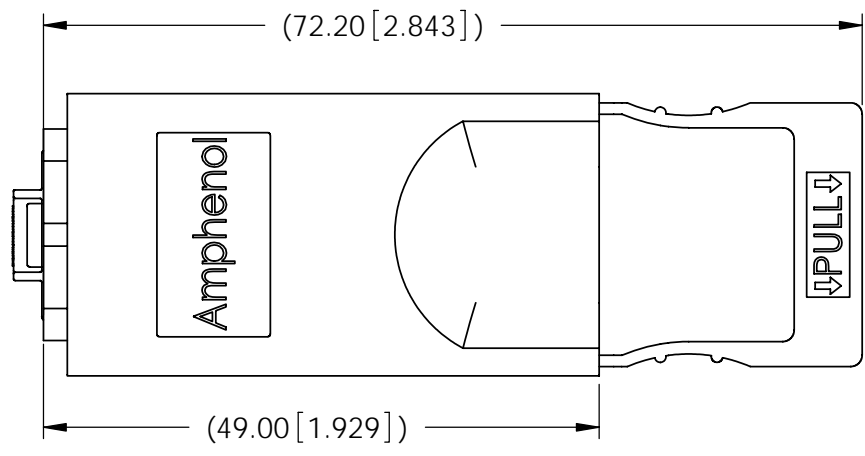
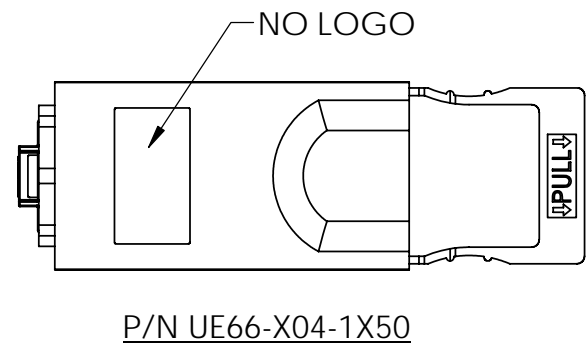


REVISIONS				
REV.	ECN/ROUTING NO.	DESCRIPTION	DATE	APPROVED
A		PROPOSAL	2005/10/25	A.G.
B		PROPOSAL	JUNE06/07	A.G.



AMPHENOL PART NUMBER CONFIGURATION

INFINITY
RoHS PLUG KIT

PCB OPTIONS
C = NO INSERT AND NO PCB
E = 1.27µm GOLD NO PCB
N = 1.27µm GOLD WITH PCB

CABLE TYPE
04 = 4X

CABLE SIZE
1 = 24 AWG WIRE
2 = 26/28 AWG WIRE (SEE NOTE 2)

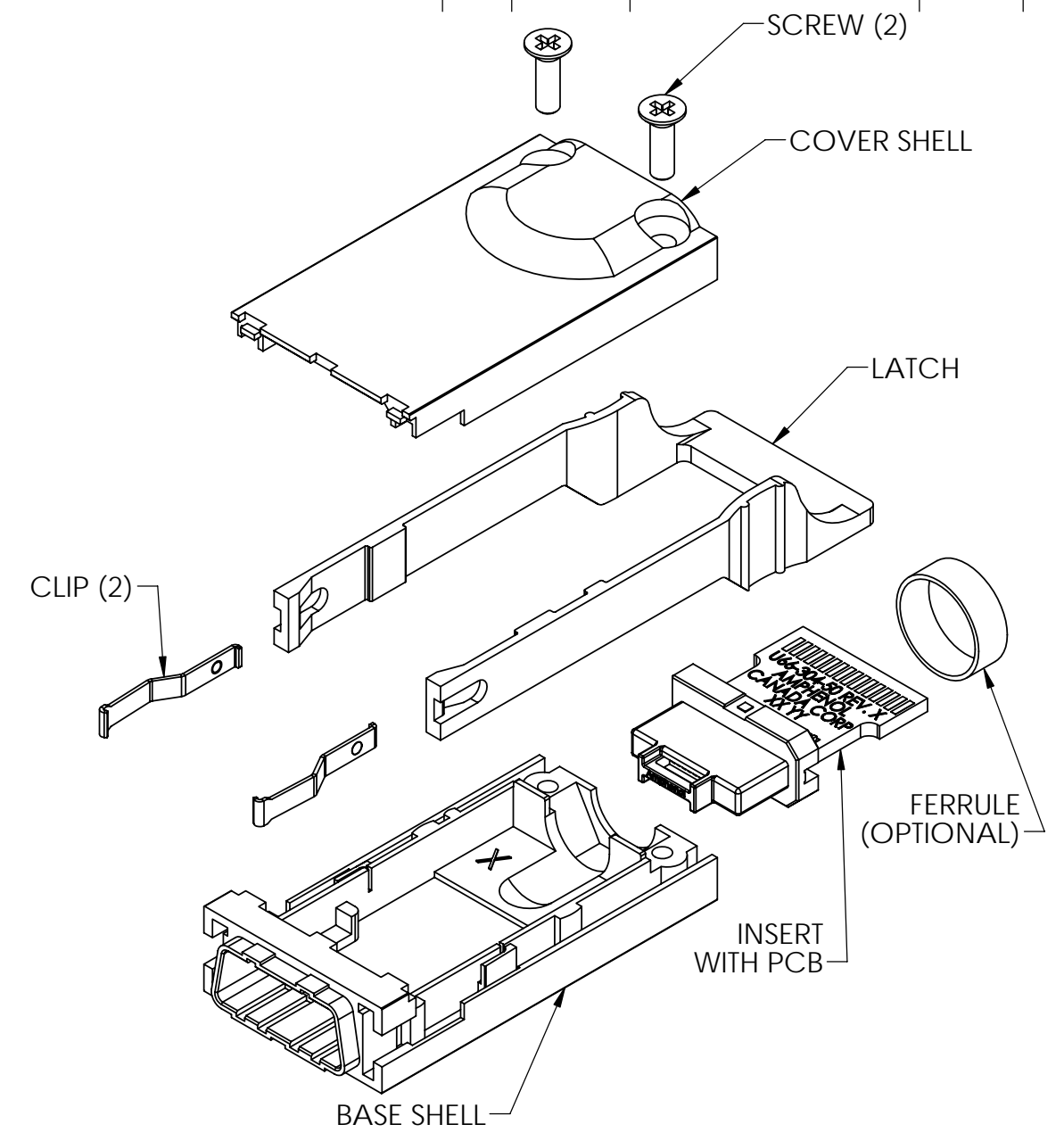
KEYING
0 = ALL KEY SLOTS
(STANDARD)

MOUNTING STYLE
1 = LANYARD LATCH
24 AWG CABLE ONLY
3 = LOW PROFILE LANYARD LATCH
26/28 AWG CABLE ONLY
(SEE NOTE 2)
5 = LANYARD LATCH - NO LOGO
24 AWG CABLE ONLY

FERRULE
0 = NO FERRULE
1 = WITH FERRULE

MATERIAL:
PLASTIC INSERT:
HIGH TEMPERATURE RESISTANT NYLON FLAMMABILITY RATING UL94V-0
CONTACTS:
COPPER ALLOY
BACK SHELL:
DIE CASTING

PLATING:
CONTACTS:
1.27µm [50µ"] MIN GOLD OVER 1.27µm [50µ"] MIN NICKEL ON CONTACT SURFACES. GOLD FLASH OVER 1.27µm [50µ"] MIN NICKEL ON CONTACT TAILS.
BACK SHELL:
2.54µm [150µ"] MIN NICKEL
TEMPERATURE RANGE: -40C TO +85C



- NOTES:
- DIMENSION FOR LOW PROFILE (26/28 AWG) SHELL IS 12.00 mm [0.472"] HIGH.
 - REQUIREMENT TO BUILD UP 28 AWG WIRE.



UNLESS OTHERWISE SPECIFIED DIMENSIONS ARE IN MILLIMETERS TOLERANCES ARE:		APPROVALS		DATE	Amphenol Canada Corp.		
DECIMALS	ANGLES	DRAWN	M.LONG	2005/10/24	TITLE		
X.X ± 0.15	± 1°	DESIGNED	M.LONG	2005/10/24	INFINIBAND 4X PLUG KIT, LANYARD LATCH STYLE, RoHS		
X.XX ± 0.10		CHECKED	J.SI	2005/10/25	REV. B		
MATERIAL AND FINISH		QA APPD			SIZE	DWG. NO.	P-UE66-X04-XXX0
N/A		IE APPD			A3	1 = 1	PROJECT
REF.		DWG APPD		A.GREEN	2005/10/25	SCALE	1 = 1
CODE IDENT. NO.	03554						SHEET 1 OF 1